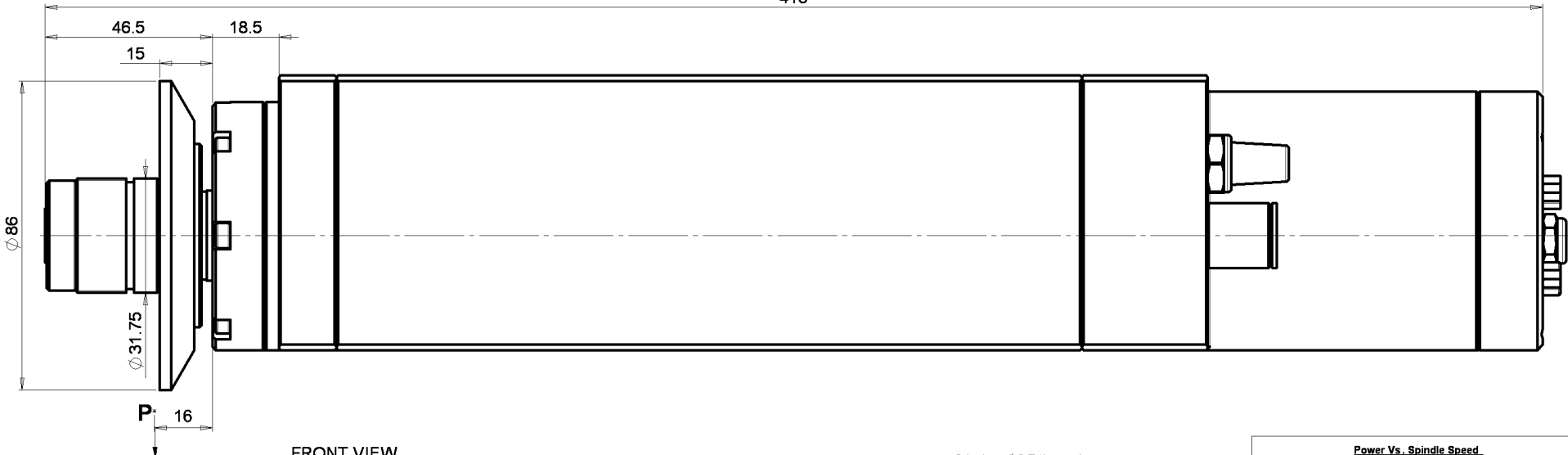
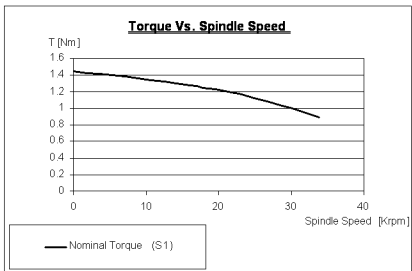
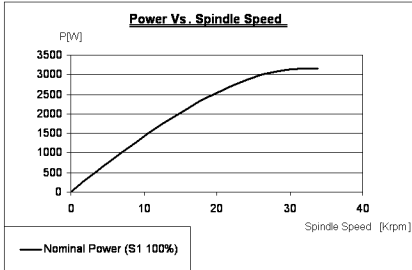
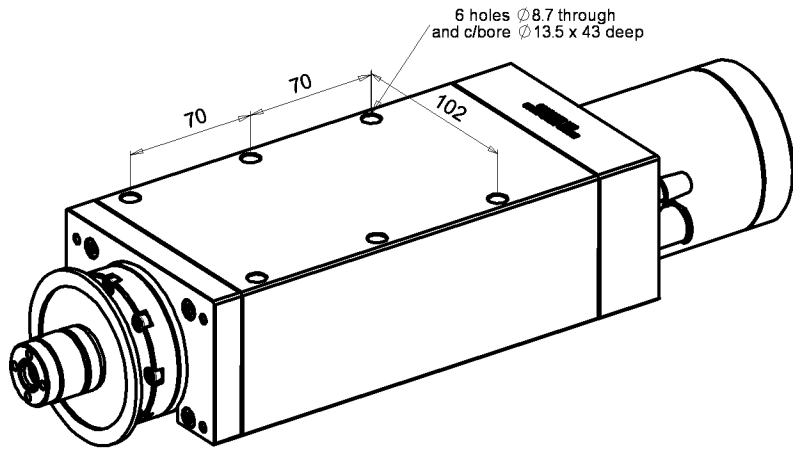
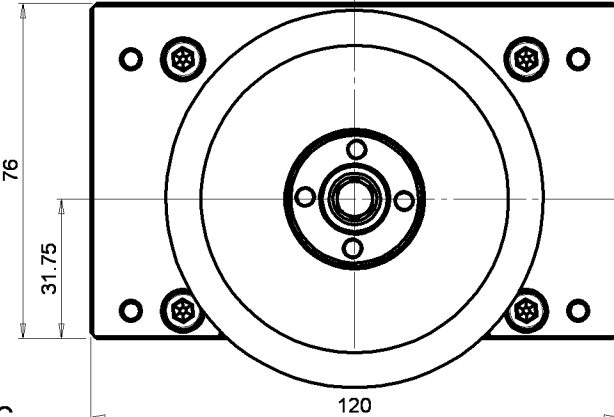


416



FRONT VIEW



**SPEC**

air supply pressure	5.0 - 5.5 bar
radial load at P	260 N @ 5.0 bar
axial load	490 N @ 5.0 bar
radial stiffness	12 N/mic
axial stiffness	26 N/mic
maximum speed	30,000 r.p.m.
min cooling water flow	1.0 l/min
power output	3.0 Kw
motor	D.C. brushless
continuous stall torque	1.3 Nm
number of poles	4
spindle noise level	70 dB max
spindle weight	21 kg

**AEROSTATIC  
3" DICING SPINDLE**  
30,000 rpm  
3000 W

**COLIBRI**  
Spindles Technology  
Lavon Industrial Park,  
M.P. Bikal Bet Hakerem  
25127, Israel  
Tel: 972-4-908-1304  
Fax: 972-4-958-9061  
www.colibrispindles.com

<b>SHA-1-00-00-00</b>	<b>ASSEMBLY</b>
PART	DESCRIPTION
PROJECT: <b>AIR SPINDLE "HF 80 L10 D 30"</b>	
Dimensions in mm: Unless otherwise machined surfaces to be 1.6 micron (N7). Break all sharp edges R0.2 max or 0.2x45° chamfer	
FILE: W:\SWM\Shaga\SHA-1-00-00	SHEET 1 OF 1

DD	NEW	TANYA	2011/02
REV	DESCRIPTION	NAME	DATE